



Perma Tech, Inc.

"Your Single Source for ALL Your Loading Dock Needs"

PERMA MECHANICAL RAIL SHELTER (X - FRAME) 3 SIDED

INSTALLATION INSTRUCTIONS

NOTE:

***CHECK SHIPPING CONTAINERS BEFORE RELEASING CARRIER.
NOTIFY CARRIER IMMEDIATELY UPON DISCOVERING ANY CONCEALED DAMAGE.***

WARNING : Do not install this product unless you have read and understand the warnings and installation instructions contained in the manual.
Failure to do so could result in serious injury or death.



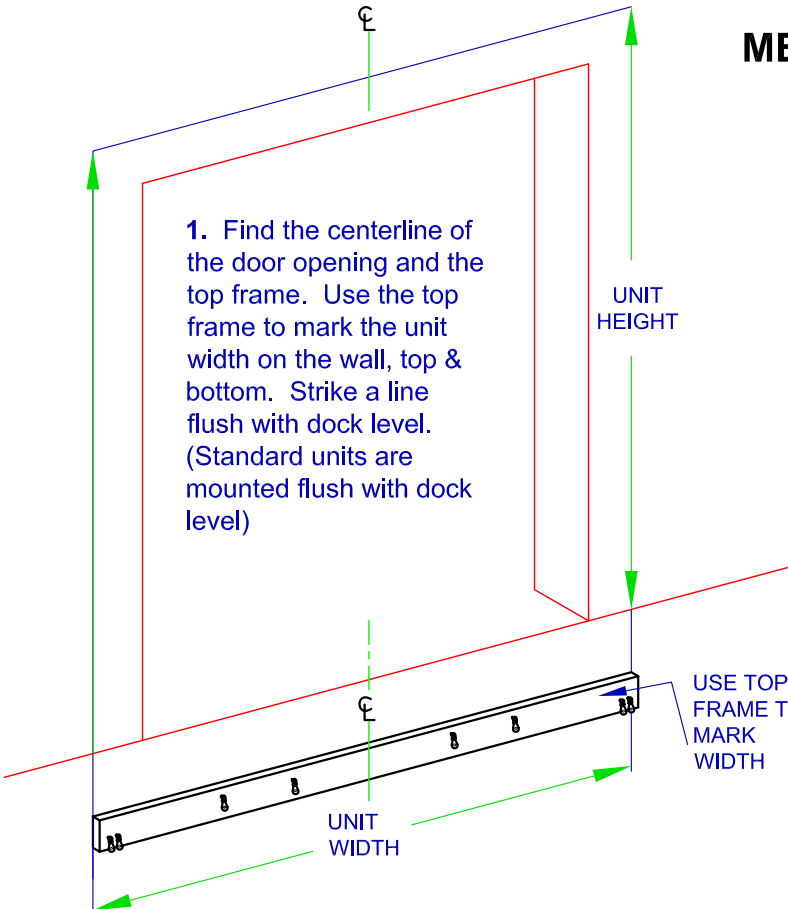
Perma Tech, Inc.

Sales@PermaTechInc.com
363 Hamburg Street, Buffalo, NY 14204
WWW.PermaTechInc.Com

Toll Free: 800-362-7325
Local: 716-854-0707
Fax: 716-854-0774

INSTALLATION INSTRUCTIONS

MECHANICAL PERMA RAIL SHELTER (3-SIDED)



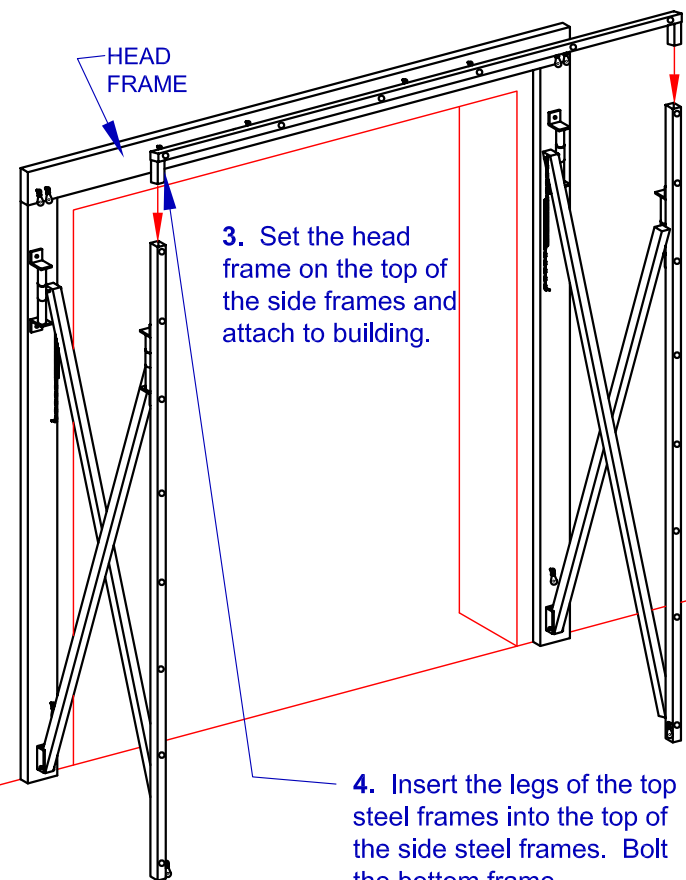
1. Find the centerline of the door opening and the top frame. Use the top frame to mark the unit width on the wall, top & bottom. Strike a line flush with dock level. (Standard units are mounted flush with dock level)

UNIT
HEIGHT

USE TOP
FRAME TO
MARK
WIDTH

UNIT
WIDTH

2. The side frames are marked "TOP LEFT" and "TOP RIGHT." Install the side frames using the marks on the wall to align the outside edges and flush with the dock. Make sure side frames are plumb.



HEAD
FRAME

3. Set the head
frame on the top of
the side frames and
attach to building.

4. Insert the legs of the top
steel frames into the top of
the side steel frames. Bolt
the bottom frame.

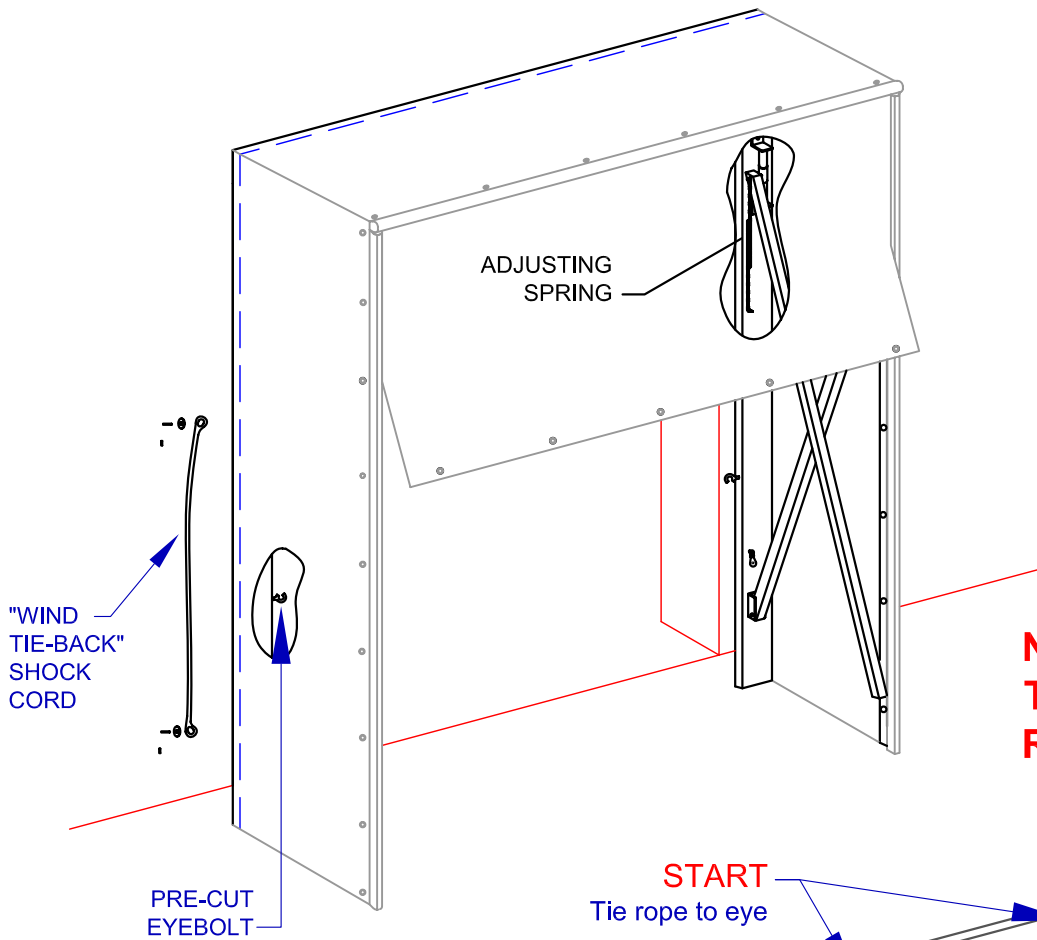
5. Let the steel frame support the shelter cover and nail the hemmed back edge to the wooden frame.

6. Attach the front edge of the shelter cover to the steel frame by wrapping the fabric around the frame (with the foam edge to the front) and bolt through the grommets.



FOAM
EDGE

USE BOLTS TO ATTACH
CURTAIN TO STEEL FRAMES



7. Adjust unit tension with springs and chain (just enough tension to keep unit firmly extended).

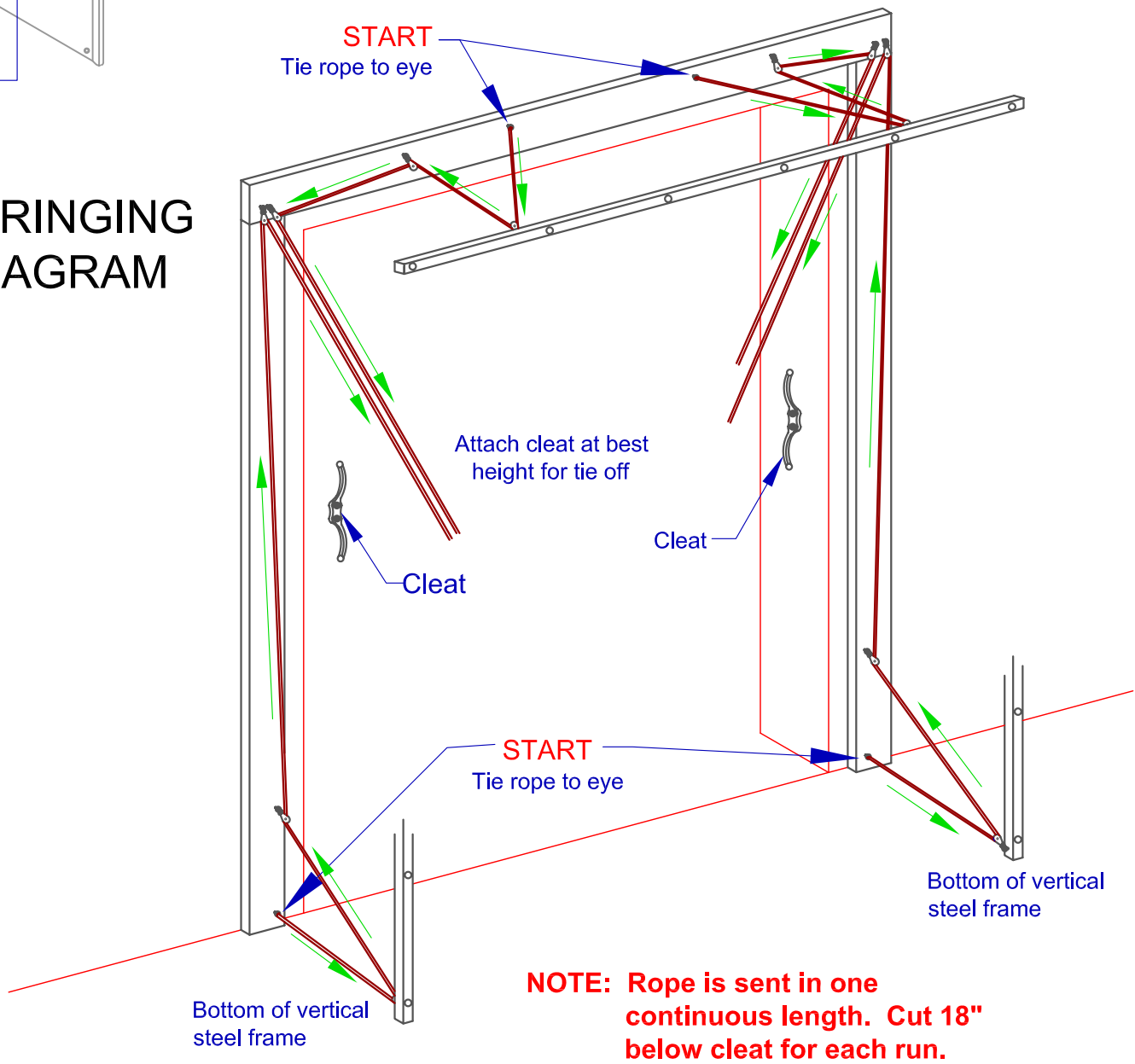
8. Nail molding strips over fabric and caulk around all three sides.

9. Attach side curtain "wind tie-backs" to the wood frame on the outside of the unit using nails and fender washers. When unit is retracted, the cord is stretched around the curtain to the eyebolt inside the unit.

10. String rope per diagram (below).

NOTE: WHEN NOT IN USE, THIS UNIT MUST BE RETRACTED.

STRINGING DIAGRAM



NOTE: Rope is sent in one continuous length. Cut 18" below cleat for each run.

LIMITED PRODUCT WARRANTY

Perma Tech, Inc. warrants the material and workmanship in any product manufactured by Perma Tech, Inc. for a period of one year from the date of shipment to customer if properly installed, maintained and used. This limited warranty shall not apply in the event of misuse or modification by customer or to materials not manufactured and installed by Perma Tech, Inc.

In the event of any defects covered by this warranty, Perma Tech, Inc. will remedy such defects by repairing or replacing at its expense any defective products or, at its option, refunding the original purchase price excluding installation, freight and tax. This shall be customer's exclusive remedy for all claims whether based on warranty, contract, negligence, strict liability or other legal theory.

Written notice of any claim must be made within the warranty period by first class mail or personal delivery to a suitable person at Perma Tech's office at 363 Hamburg Street, Buffalo, New York 14204. Notice of delivery by e-mail or fax is not acceptable.

PERMA TECH, INC. EXPRESSLY DISCLAIMS AND CUSTOMER WAIVES ALL IMPLIED WARRANTIES INCLUDING WITHOUT LIMITATION, ANY IMPLIED WARRANTIES OF MERCHANTABILITY OR FITNESS FOR A PARTICULAR PURPOSE. PERMA TECH, INC. SHALL NOT IN ANY EVENT BE LIABLE FOR AND CUSTOMER WAIVES ANY INCIDENTAL, CONSEQUENTIAL OR PUNITIVE DAMAGES OF ANY KIND TO CUSTOMER OR ANY THIRD PARTY, INCLUDING WITHOUT LIMITATION DAMAGES FOR LOST PROFITS, EVEN IF ADVISED OF SAME.